



EQUALIZER
INTERNATIONAL

FLANGE TOOL INNOVATION

PRODUCT DATA SHEET

FA4TM

MECHANICAL LINEAR AND
ROTATIONAL FLANGE
ALIGNMENT TOOL

ALIGNING FORCE:

With 68N·m (50ft·lb) of torque applied:
4T (40kN)

TOOL WEIGHT: 8.6kg (19.0lb)

KIT COMPONENTS

- 1 x FA4TM Tool
- 1 x 68N·m (50ft·lb) Torque Wrench
- 1 x 22mm Socket
- 1 x Ratchet Strap
- 1 x Instruction Manual
- 1 x Carry-Case

Product Code: FA4TMSTD

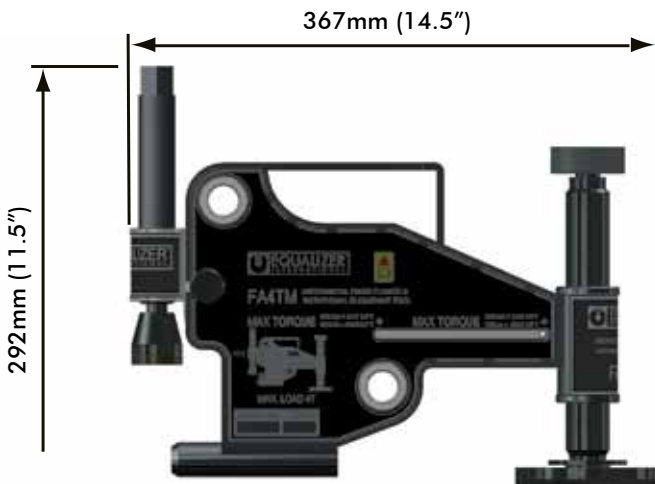


WEIGHTS AND DIMENSIONS

Tool Weight 8.6kg (19.0lb)
 Case Weight 2.5kg (5.5lb)
 Gross Weight 12.2kg (26.9lb)

Carry-Case Dimensions:

600 x 370 x 200mm
(23.6"x14.6"x7.9")

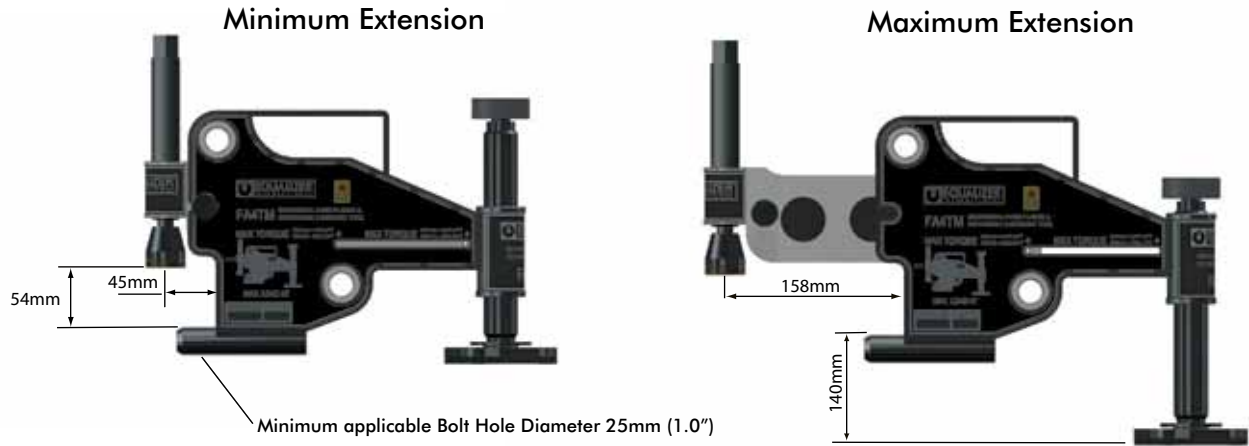


FA4™

MECHANICAL LINEAR AND ROTATIONAL
FLANGE ALIGNMENT TOOL



FLANGE TOOL INNOVATION



RANGE OF APPLICATION

ASME	1/2"	3/4"	1"	1 1/4"	1 1/2"	2"	2 1/2"	3"	3 1/2"	4"	5"	6"	8"	10"	12"	14"
150#						FA1TM	FA1TM	FA1TM	FA1TM	FA1TM	FA1TM	FA1TM	FA1TM	FA4TM	FA4TM	FA4TM
300#					FA1TM	FA1TM	FA1TM	FA1TM	FA1TM	FA1TM	FA1TM	FA1TM	FA4TM	FA4TM	FA4TM	FA4TM
400#						FA1TM	FA1TM	FA1TM	FA4TM	FA4TM	FA4TM	FA4TM	FA4TM	FA4TM	FA9TE	FA9TE
600#					FA1TM	FA1TM	FA1TM	FA1TM	FA4TM	FA4TM	FA4TM	FA4TM	FA4TM	FA9TE	FA9TE	FA9TE
900#	FA1TM	FA1TM	FA4TM	FA4TM	FA4TM	FA4TM	FA4TM	FA4TM		FA4TM	FA4TM	FA4TM	FA9TE	FA9TE	FA9TE	FA9TE
1500#	FA1TM	FA1TM	FA1TM	FA4TM	FA4TM	FA4TM	FA4TM	FA4TM			FA9TE	FA9TE	FA9TE	FA9TE	FA9TE	FA9TE
2500#	FA1TM	FA1TM	FA4TM	FA4TM	FA4TM	FA4TM	FA4TM	FA9TE		FA9TE	FA9TE	FA9TE	FA9TE	FA9TE	FA9TE	

ASME	16"	18"	20"	24"	26"	28"	30"	32"	34"	36"	38"	40"	42"	44"	46"	48"
150#	FA4TM	FA4TM	FA4TM	FA4TM	FA4TM	FA4TM	FA4TM	FA4TM	FA4TM	FA9TE	FA9TE	FA9TE	FA9TE	FA9TE	FA9TE	FA9TE
300#	FA9TE	FA9TE	FA9TE	FA9TE	FA4TM	FA4TM	FA4TM	FA4TM	FA4TM	FA4TM	FA9TE	FA9TE	FA9TE	FA9TE	FA9TE	FA9TE
400#	FA9TE	FA9TE	FA9TE	FA9TE	FA4TM	FA4TM	FA4TM	FA4TM	FA4TM	FA4TM	FA9TE	FA9TE	FA9TE	FA9TE	FA9TE	FA9TE
600#	FA9TE	FA9TE	FA9TE	FA9TE	FA4TM	FA4TM	FA4TM	FA4TM	FA4TM	FA4TM	FA9TE	FA9TE	FA9TE	FA9TE	FA9TE	FA9TE
900#	FA9TE	FA9TE	FA9TE	FA9TE	FA9TE	FA9TE	FA9TE									
1500#	FA9TE	FA9TE	FA9TE													
2500#																

For other flange types, please contact Equalizer International.